



WILLIAM JOHNSTON **& COMPANY LIMITED**

Glasgow Tel: +44 (0) 141 620 1666 | Inverness Tel: +44 (0) 1463 238 673
sales@williamjohnston.co.uk | www.williamjohnston.co.uk

Tri Clover Clamp Union

Tri Clover Clamp Unions or also known as Tri Clamp Unions

Standard Hygienic Tri Clover Clamp Unions consists of:

- 1 Double Hinged Clamp**, Grade 304
- 2 Ferrules 21.5mm long** Grade 316
- 1 Blue EPDM Seal**, the parts can also be bought individually.

Other Seals Available are PTFE solid, PTFE Envelope, Viton and Silicone.

The Ferrules as standard are 21.5mm long, we also supply 28mm and 44mm long. We supply **Heavy Wall Tri Clamp Tank Ferrules**

For an immediate quote call sales on **0141 620 1666** or email sales@williamjohnston.co.uk

Tri Clover Clamp Union



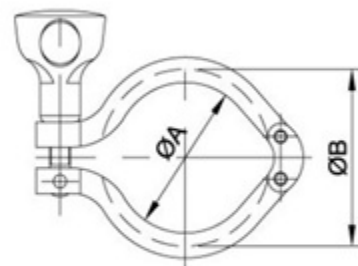
Clamp

Ferrule

Seal

Ferrule

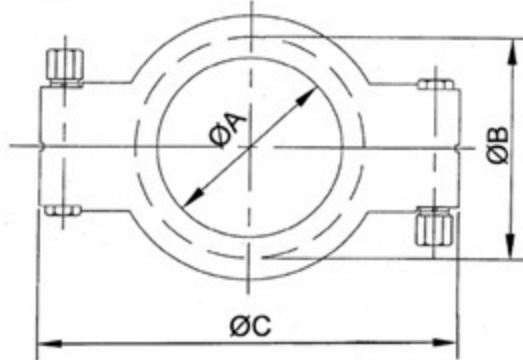
Double Hinged Tri clamp



Double Hinged Tri Clover Clamp Heavy Duty Grade 304

	1/2" - 3/4"	1" - 1.5"	2"	2.5"	3"	4"
A	20	43.6	57	70.6	84	112
B	28	53.6	67	80.6	94	122

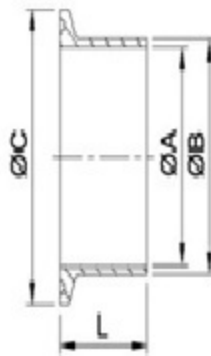
High Pressure Tri Clamp Double Bolted



High Pressure Tri Clamp Double Bolted Grade 304

	1/2" - 3/4"	1" - 1.5"	2"	2.5"	3"	4"
A	25	50	64	77.5	91	119
B	28	52	65.5	79	92.5	120.5
C	53.6	95.7	109.5	124.3	135.4	163.4

Tri Clamp Ferrule



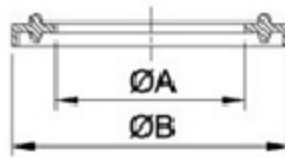
Tri Clamp Ferrule Grade 316L

	1/2"	3/4"	1"	1.5"	2"	2.5"	3"	4"
A tube i/d	9.4	15.75	22.1	34.8	47.5	60.2	72.9	97.4
B tube o/d	12.7	19.05	25.4	38.1	50.8	63.5	76.2	101.6
C dia of ferrule	25	25	50.5	50.5	64	77.5	91	119
L	21.5	21.5	21.5	21.5	21.5	21.5	21.5	21.5

Standard length 21.5mm also available as 28.5mm long and 44mm long



Tri Clamp Seal



Tri Clamp Seal EPDM

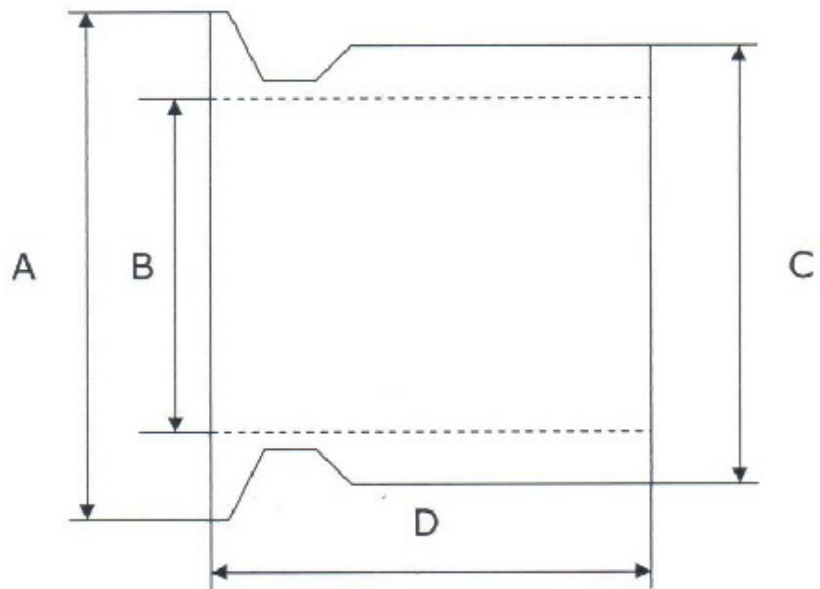
	1/2"	3/4"	1"	1.5"	2"	2.5"	3"	4"
A	9.9	16.3	22.8	35.8	48.8	60.5	73.1	97.8
B	21.8	21.8	52.7	52.7	66.2	79.7	93.2	121.2

Tri Clamp Blank



Tri Clamp Blank Grade 316L

	1/2" - 3/4"	1" - 1.5"	2"	2.5"	3"	4"
A	25	50.5	64	77.5	91	119
L	6	6.3	6.3	6.3	6.3	7.9



Tri Clamp Tank Ferrule

Size	A	B	C	D	WALL
1"	50.4mm	22.2mm	34.9mm	63.5mm	6.35mm
1 1/2"	50.4mm	34.9mm	47.6mm	63.5mm	6.35mm
2"	63.9mm	47.6mm	60.3mm	76.2mm	6.35mm
2 1/2"	77.4mm	60.3mm	73.3mm	76.2mm	6.5mm
3"	90.9mm	73.0mm	85.7mm	101.6mm	6.35mm
4"	118.9mm	97.5mm	110.4mm	101.6mm	6.45mm

Disclaimer

Please note, failure to select the correct materials or products we supply ("the Products") may result in damage to plant, equipment or property. In some instances, it may cause death or personal injury. We are not designers and do not give advice about design related matters concerning the Products. We can help and assist with the technical specifications for the Products. In specific applications, particularly where critical conditions exist, we will try to assist you within the limitations of the services that we offer. All information supplied by us is intended as technical co-operation outlining the specifications of the different Products which we supply. To the extent permitted in law, no warranty is given in respect of any information supplied by us. The customer must satisfy themselves as to the suitability of the Products for their intended application and use.

The correct fitting of Products is the responsibility of the customer. Your statutory rights remain unaffected. Save in respect of death, personal injury or fraud, our entire liability to you, however arising from the supply of Products shall be limited to the £10M indemnity amount provided by our insurers.